

# BELZONA PROTECTS TUBE SHEET AND TUBES

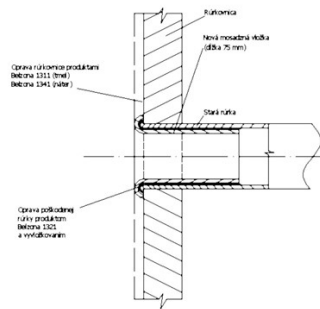
ID: 1056

**Industry:** Heating, Ventilation & Air Conditioning  
**Application:** HEX-Heat Exchangers  
**Substrate:** Carbon steel  
**Products:** Belzona® 1311 (Ceramic R metal),  
Belzona® 1321 (Ceramic S metal),  
Belzona® 1341 (Supermetalglide),  
Belzona® 5811 (Immersion Grade,

**Customer Location:** Steel mill, Slovakia  
**Application Date:** 2003

## Problem

Corrosion problems were beginning on the tube sheet and inlet tubes (50 mm).



## Application Situation

Condenser tube sheets and tubes

## Application Method

The application was carried out in accordance with Belzona Know-How System Leaflet HEX-1, HEX-2, and HEX-3.

## Belzona Facts

Belzona provided long term protection, increasing the life of the tube sheet and also inlet tubes, decreasing other repair and maintenance costs. Inspection after three years showed excellent protection being maintained.

For more examples of Belzona Know - How In Action, please visit <https://khia.belzona.com>

ISO 9001:2015  
Q 09335  
ISO 14001:2015  
EMS 509612

Belzona products are  
manufactured under an ISO  
9000 Registered Quality  
Management System.

[www.belzona.com](http://www.belzona.com)

