

BELZONA PROTECTS TUBE SHEET AND TUBES

ID: 1056

Industry: Heating, Ventilation & Air Conditioning

Application: HEX-Heat Exchangers

Substrate: Carbon steel

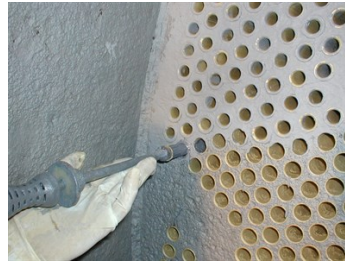
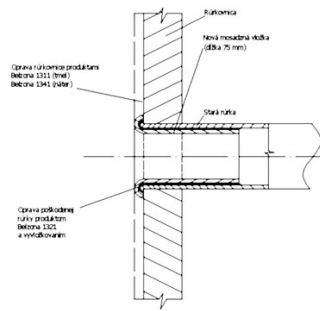
Products: Belzona 1311 (Ceramic R-Metal), Belzona 1321 (Ceramic S-Metal), Belzona 1341 (Supermetalgilde), Belzona 5811 (Immersion Grade)

Customer Location: Steel mill, Slovakia

Application Date: August 2003

Problem

Corrosion problems were beginning on the tube sheet and inlet tubes (75 mm).



Damaged exchanger tube.

The customer requested that the pipes be protected to a depth of 75 mm.

The protection of the inner surface of the pipes was done by gluing steel inserts inside the pipes.

Top layer of Belzona 1341 product.

Application Situation

Condenser tube sheets and tubes. The protection of the inner surface of the pipes was done by gluing steel inserts inside the pipes.

Application Method

The application was carried out in accordance with Belzona Know-How System Leaflet HEX-1, HEX-2, and HEX-3.

Belzona Facts

Belzona provided long term protection, increasing the life of the tube sheet and also inlet tubes, decreasing other repair and maintenance costs. Inspection after three years showed excellent protection being maintained.

For more examples of Belzona Know - How In Action, please visit <https://khia.belzona.com>

ISO 9001:2015
FS 695214
ISO 14001:2015
EMS 695213

Belzona products are
manufactured under an ISO
9000 Registered Quality
Management System.

www.belzona.com

